

VOCI DI CAPITOLATO - TECHNICAL FEATURES



Attacchi filettati femmina/femmina e tappo d'ispezione.
Corpo in ottone.

Temperatura minima e massima d'esercizio:
-20°C, 110°C in assenza di vapore.

Grado di filtrazione:
da 1/4" a 2" 500µm; 2 1/2, 3" e 4" 800µm.

Attacchi filettati ISO228
(equivalente a DIN EN ISO 228 e BS EN ISO 228).

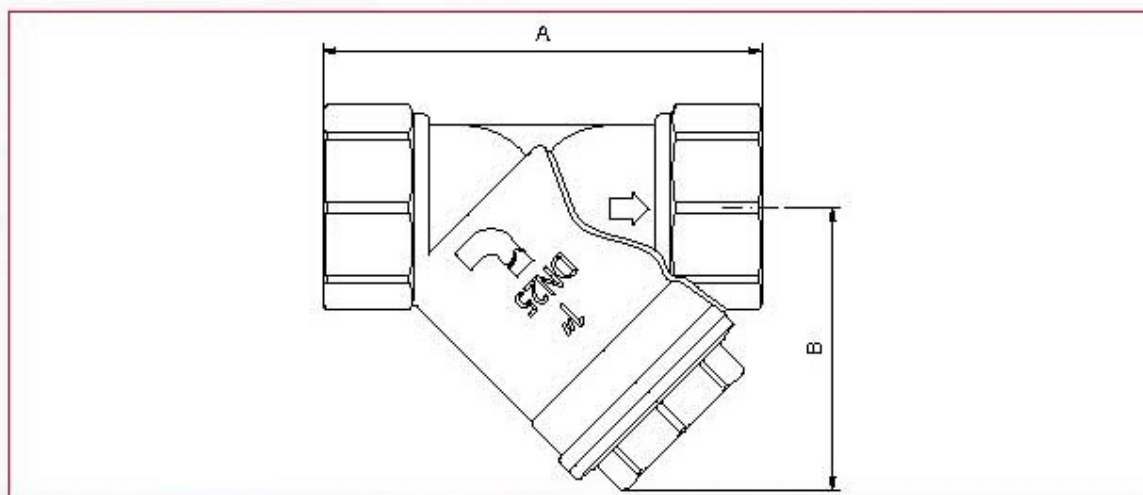
*Female/female threads and inspection plug.
Body in brass.*

Filtration degree:
1/4" through 2" 500µm; 2 1/2, 3" and 4" 800µm.

*Threads: ISO228
(equivalent to DIN EN ISO 228 and BS EN ISO 228).*

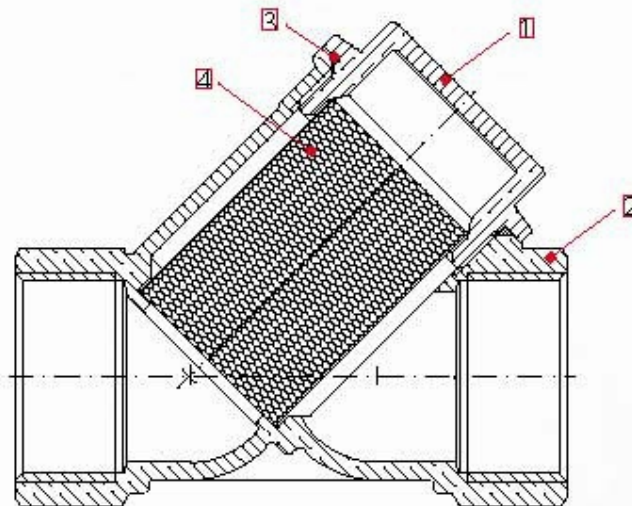
MISURE/SIZE	1/4" (DN 8)	3/8" (DN 10)	1/2" (DN 15)	3/4" (DN 20)	1" (DN 25)	1 1/4" (DN 32)	1 1/2" (DN 40)	2" (DN 50)	2 1/2" (DN 65)	3" (DN 80)	4" (DN 100)
PRESIONE/PRESSURE	20bar/290psi	20bar/290psi	20bar/290psi	20bar/290psi	20bar/290psi	20bar/290psi	20bar/290psi	20bar/290psi	16bar/232psi	16bar/232psi	16bar/232psi
CODICE/COE	1920014	1920038	1920012	1920034	1920100	1920114	1920112	1920200	1920212	1920300	1920400
INNESTO/PLATING	20/260	20/260	20/160	10/130	8/64	5/60	2/36	2/28	1/16	1/10	1/4

QUOTE DI INGOMBRO - DRAWING



MISURE / SIZE	1/4"	3/8"	1/2"	3/4"	1"	1 1/4"	1 1/2"	2"	2 1/2"	3"	4"
DN	8	10	15	20	25	32	40	50	65	80	100
A (mm)	55	55	58	70	87	96	106	126	150	169	219
B (mm)	40	40	40	48	56	64	73	89	107	120	161
PRESS. ATMOSF. / WORK. PRESS. kg/cm ² - bar	20	20	20	20	20	20	20	20	16	16	16
PRESS. ATMOSF. PSI LES WORK. PRESS	290	290	290	290	290	290	290	290	240	240	240

SCHEDA MATERIALI - MATERIALS



POS.	DESCRIZIONE/DESCRIPTION	Q.TÀ/N.	MATERIALE/MATERIAL
1	Manicotto / End adapter	1	Ottone / Brass CW617N
2	Corpo / Body	1	Ottone / Brass CB753S
3	Guarnizione / O-ring	1	Or NBR / NBR-70SH/A
4	Filtro / Strainer	1	Acciaio / Steel AISI 304

CARTUCCIA - CARTRIDGE

192CA



Grado di filtrazione: da 1/4" a 2" 500µm; 2 1/2, 3" e 4" 800µm.

Filtration degree: 1/4" through 2" 500µm; 2 1/2, 3" and 4" 800µm.

INCH/SAZ	1/4" (DN8)	3/8" (DN10)	1/2" (DN15)	3/4" (DN20)	1" (DN25)	1 1/4" (DN32)	1 1/2" (DN40)	2" (DN50)	2 1/2" (DN65)	3" (DN80)	4" (DN100)
CODES/CODE	192CA014	192CA014	192CA014	192CA034	192CA100	192CA114	192CA112	192CA200	192CA212	192CA300	192CA400

Certificazioni- Certifications



KANTILAL CHIMANLAL
662/45, Kapasia Bazaar
Railwaypura, Ahmedabad-3800 02
Gujarat (INDIA)

Ph.: +91 79 2217 0041 / 80
Fax: +91 79 2212 1863
Mobile: +91 98795 15172
E-mail : kc@kantilalchimanlal.net

' For Guaranteed Trouble Free Service '



VOCI DI CAPITOLATO - TECHNICAL FEATURES



Attacchi filettati femmina/femmina e tappo d'ispezione.
Corpo in ottone nichelato.

Temperatura minima e massima d'esercizio:
-20°C, 110°C in assenza di vapore.

**Disponibile in tre gradi di filtrazione:
500µm, 300µm and 50µm.**

Attacchi filettati ISO228
(equivalente a DIN EN ISO 228 e BS EN ISO 228).

*Female/female threads and inspection plug.
Body in nickel-plated brass.*

**Available in 3 filtration degrees:
500µm, 300µm and 50µm.**

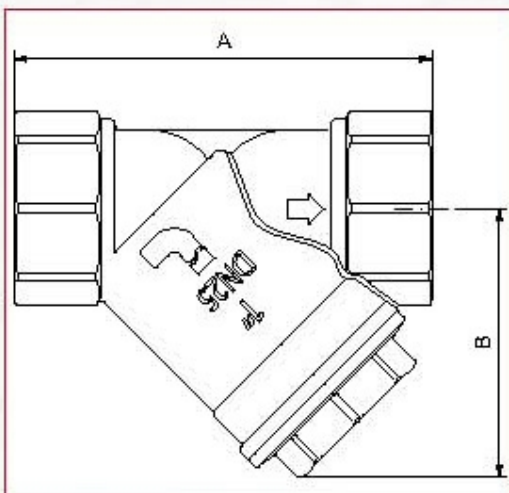
*Threads: ISO228
(equivalent to DIN EN ISO 228 and BS EN ISO 228).*

MISURE/SIZE	1/4" (DN 8)	3/8" (DN 10)	1/2" (DN 15)	3/4" (DN 20)	1" (DN 25)	1 1/4" (DN 32)	1 1/2" (DN 40)	2" (DN 50)
PRESS. CHIE/ PRESSURE	20bar/290psi	20bar/290psi	20bar/290psi	20bar/290psi	20bar/290psi	20bar/290psi	20bar/290psi	20bar/290psi
CODE/ CODICE	1990014	1990028	1990012	1990034	1990100	1990114	1990112	1990200
MATERIAL/FABBRICAZIONE	20/260	20/260	20/160	10/130	8/64	5/60	2/36	2/28

MISURE/SIZE	1/4" (DN 8)	3/8" (DN 10)	1/2" (DN 15)	3/4" (DN 20)	1" (DN 25)	1 1/4" (DN 32)	1 1/2" (DN 40)	2" (DN 50)
PRESS. CHIE/ PRESSURE	20bar/290psi	20bar/290psi	20bar/290psi	20bar/290psi	20bar/290psi	20bar/290psi	20bar/290psi	20bar/290psi
CODE/ CODICE	1990014G	1990028G	1990012G	1990034G	1990100G	1990114G	1990112G	1990200G
MATERIAL/FABBRICAZIONE	20/260	20/260	20/160	10/130	8/64	5/60	2/36	2/28

MISURE/SIZE	1/4" (DN 8)	3/8" (DN 10)	1/2" (DN 15)	3/4" (DN 20)	1" (DN 25)	1 1/4" (DN 32)	1 1/2" (DN 40)	2" (DN 50)
PRESS. CHIE/ PRESSURE	20bar/290psi	20bar/290psi	20bar/290psi	20bar/290psi	20bar/290psi	20bar/290psi	20bar/290psi	20bar/290psi
CODE/ CODICE	1990014GAS	1990028GAS	1990012GAS	1990034GAS	1990100GAS	1990114GAS	1990112GAS	1990200GAS
MATERIAL/FABBRICAZIONE	20/260	20/260	20/160	10/130	8/64	5/60	2/36	2/28

QUOTE DI INGOMBRO - DRAWING



MISURE / SIZE	1/4"	3/8"	1/2"	3/4"	1"	1 1/4"	1 1/2"	2"
DN	8	10	15	20	25	32	40	50
A (mm)	55	55	58	70	87	96	106	126
B (mm)	40	40	40	48	56	64	73	89
PRESS. ATMOSF. / WORK. PRESS. kg/cm ² - bar	20	20	20	20	20	20	20	20
PRESS. ATMOSF. P3 LBS WORK. PRESS	290	290	290	290	290	290	290	290

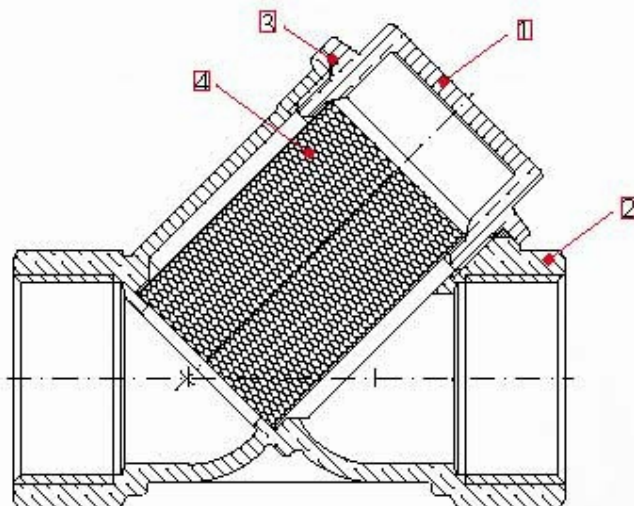
KANTILAL CHIMANLAL
662/45, Kapasia Bazaar
Railwaypura, Ahmedabad-3800 02
Gujarat (INDIA)

Ph.: +91 79 2217 0041 / 80
Fax: +91 79 2212 1863
Mobile: +91 98795 15172
E-mail : kc@kantilalchimanlal.net

' For Guaranteed Trouble Free Service '



SCHEDA MATERIALI - MATERIALS



POS.	DESCRIZIONE/DESCRIPTION	Q.TÀ/N.	MATERIALE/MATERIAL
1	Manicotto / End adapter	1	Ottone nichelato / Nickel-plated brass CW617N
2	Corpo / Body	1	Ottone nichelato / Nickel-plated brass CW617N
3	Guarnizione / O-ring	1	Or NBR / NBR-70SH/A
4	Filtro / Strainer	1	Acciaio / Steel AISI 304

CARTUCCIA - CARTRIDGE

192CA



Grado di filtrazione: 500µm o 300µm o 50µm.

Filtration degree: 500µm or 300µm or 50µm.

INCH./SIZE	1/4" (DN 8)	3/8" (DN 10)	1/2" (DN 15)	3/4" (DN 20)	1" (DN 25)	1 1/4" (DN 32)	1 1/2" (DN 40)	2" (DN 50)	500µm
CODES/CODE	192CA014	192CA014	192CA014	192CA0B4	192CA100	192CA114	192CA112	192CA200	
INCH./SIZE	1/4" (DN 8)	3/8" (DN 10)	1/2" (DN 15)	3/4" (DN 20)	1" (DN 25)	1 1/4" (DN 32)	1 1/2" (DN 40)	2" (DN 50)	300µm
CODES/CODE	192CA014G	192CA014G	192CA014G	192CA0B4G	192CA100G	192CA114G	192CA112G	192CA200G	
INCH./SIZE	1/4" (DN 8)	3/8" (DN 10)	1/2" (DN 15)	3/4" (DN 20)	1" (DN 25)	1 1/4" (DN 32)	1 1/2" (DN 40)	2" (DN 50)	50µm
CODES/CODE	192CA014GAS	192CA014GAS	192CA014GAS	192CA0B4GAS	192CA100GAS	192CA114GAS	192CA112GAS	192CA200GAS	

Certificazioni- Certifications



KANTILAL CHIMANLAL
662/45, Kapasia Bazaar
Railwaypura, Ahmedabad-3800 02
Gujarat (INDIA)

Ph.: +91 79 2217 0041 / 80
Fax: +91 79 2212 1863
Mobile: +91 98795 15172
E-mail : kc@kantilalchimanlal.net

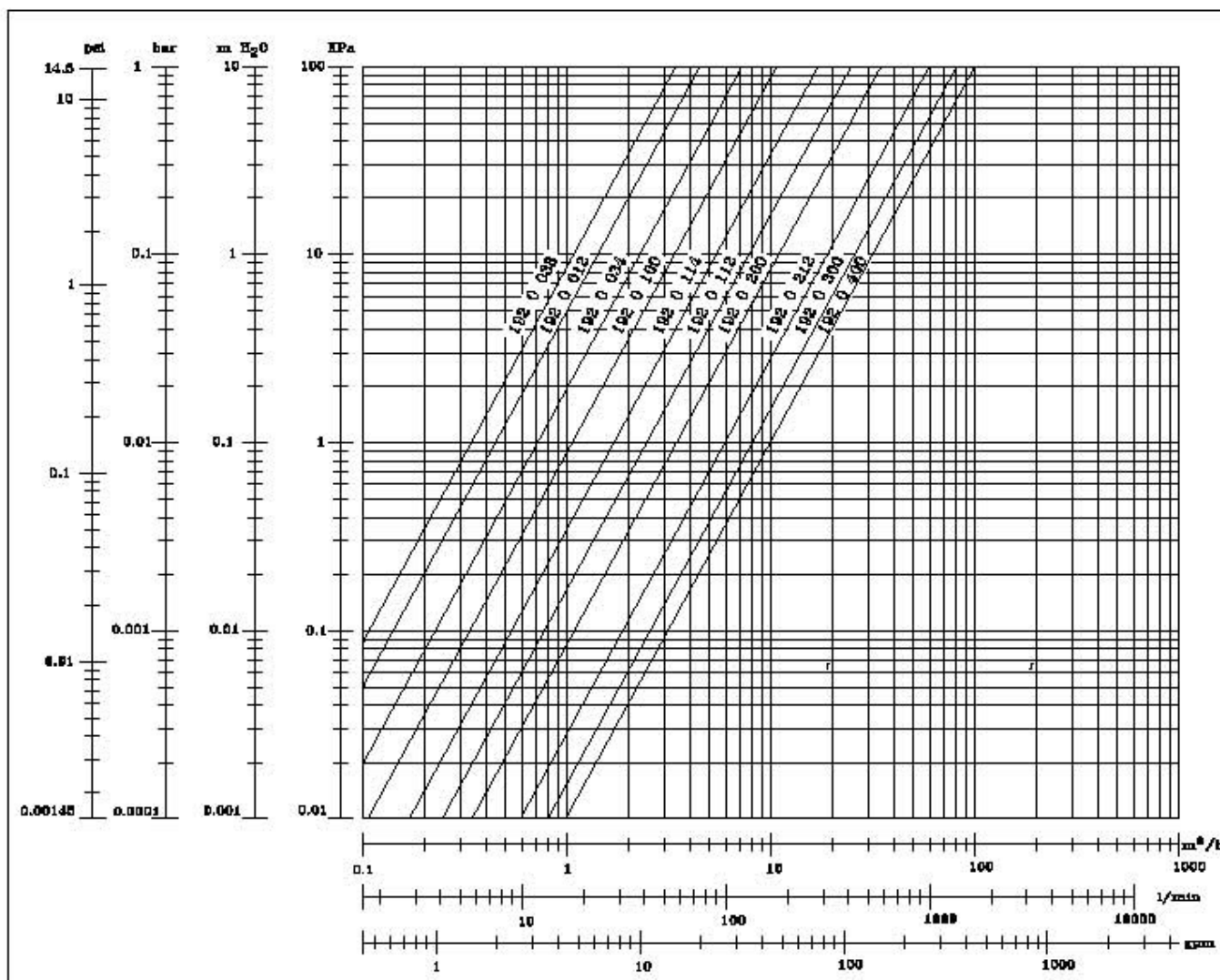
' For Guaranteed Trouble Free Service '



DIAGRAMMA APERTURA VALVOLA - *DIAGRAM MINIMUM PRESSURE TO GET THE VALVES OPENING*

MISURE / SIZE	3/8"	1/2"	3/4"	1"	1 1/4"	1 1/2"	2"	2 1/2"	3"	4"
Kv	3,43	4,48	7,86	11	16	22	35	60	83	100

Con acqua - With water



KANTILAL CHIMANLAL
662/45, Kapasia Bazaar
Railway pura, Ahmedabad-3800 02
Gujarat (INDIA)

Ph.: +91 79 2217 0041 / 80
Fax: +91 79 2212 1863
Mobile: +91 98795 15172
E-mail : kc@kantilalchimanlal.net

' For Guaranteed Trouble Free Service '

