

# KANTILAL CHIMANLAL

AHMEDABAD  
SINCE-1913

Valvola a sfera LONDON®, passaggio totale  
LONDON® ball valve, full flow

066

## VOCI DI CAPITOLATO - TECHNICAL FEATURES



CERTIFICATA EN 331  
EN 331 APPROVED

Attacchi filettati femmina/femmina.

Maniglia a **leva in acciaio**.

Corpo in ottone nichelato.

Temperatura minima e massima d'esercizio: -20°C, 60°C.

Attacchi filettati ISO 7/1 Rp parallelo

(equivalente a DIN EN 10226-1 e BS EN 10226-1).

*Female/female threads.*

**Lever handle in steel.**

*Body in nickel-plated brass.*

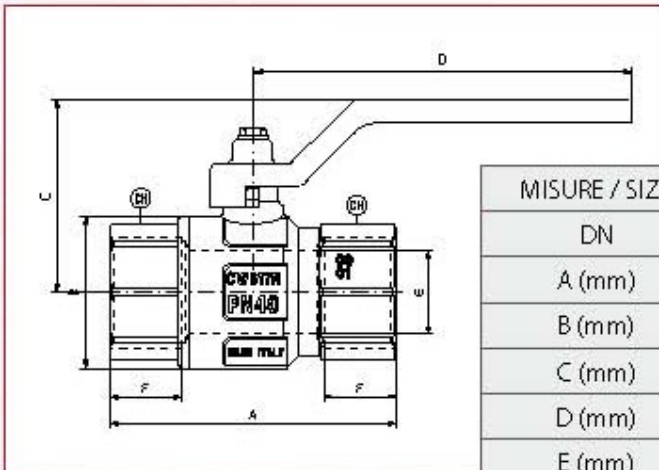
*Minimum and maximum working temperatures: -20°C, 60°C.*

*Threads: ISO 7/1 Rp parallel*

*(equivalent to DIN EN 10226-1 and BS EN 10226-1).*

MISURA/SIZE	1/4" (DN 8)	3/8" (DN 10)	1/2" (DN 15)	3/4" (DN 20)	1" (DN 25)	1 1/4" (DN 32)	1 1/2" (DN 40)	2" (DN 50)
PRESIONE/PRESSURE	5 bar/72.5 psi	5 bar/72.5 psi	5 bar/72.5 psi	5 bar/72.5 psi	5 bar/72.5 psi	5 bar/72.5 psi	5 bar/72.5 psi	5 bar/72.5 psi
CODICE/CODE	066B014	066B028	066B012	066B024	066B100	066B114	066B112	066B200
INCHIOCHI/KEYS	12/192	12/192	10/100	8/104	6/48	4/32	2/24	2/14

## QUOTE DI INGOMBRO - DRAWING



MISURE / SIZE	1/4"	3/8"	1/2"	3/4"	1"	1 1/4"	1 1/2"	2"
DN	8	10	15	20	25	32	40	50
A (mm)	49,5	52,4	61	68	85	99,5	109	130
B (mm)	23,5	24	30,5	37	45,5	58	71	85
C (mm)	37	37	48,3	54,8	58,8	75	90	97
D (mm)	80	80	88,5	113	113	138	157,8	157,8
E (mm)	10	10	15	20	25	32	40	50
F (mm)	11	11,4	15	16,3	19,1	21,4	21,4	25,7
CH (mm)	18	21	25	31	38	47	54	66
PRESS. ATMOSF./WORK. PRESS. Kg/cm <sup>2</sup> - bar	5	5	5	5	5	5	5	5
PRESS. ATMOSF. PSI LBS WORK. PRESS	72,5	72,5	72,5	72,5	72,5	72,5	72,5	72,5

KANTILAL CHIMANLAL  
662/45, Kapasia Bazaar  
Railwaypura, Ahmedabad-3800 02  
Gujarat (INDIA)

Ph.: +91 79 2217 0041 / 80  
Fax: +91 79 2212 1863  
Mobile: +91 98795 15172  
E-mail : kc@kantilalchimanlal.net

' For Guaranteed Trouble Free Service '

